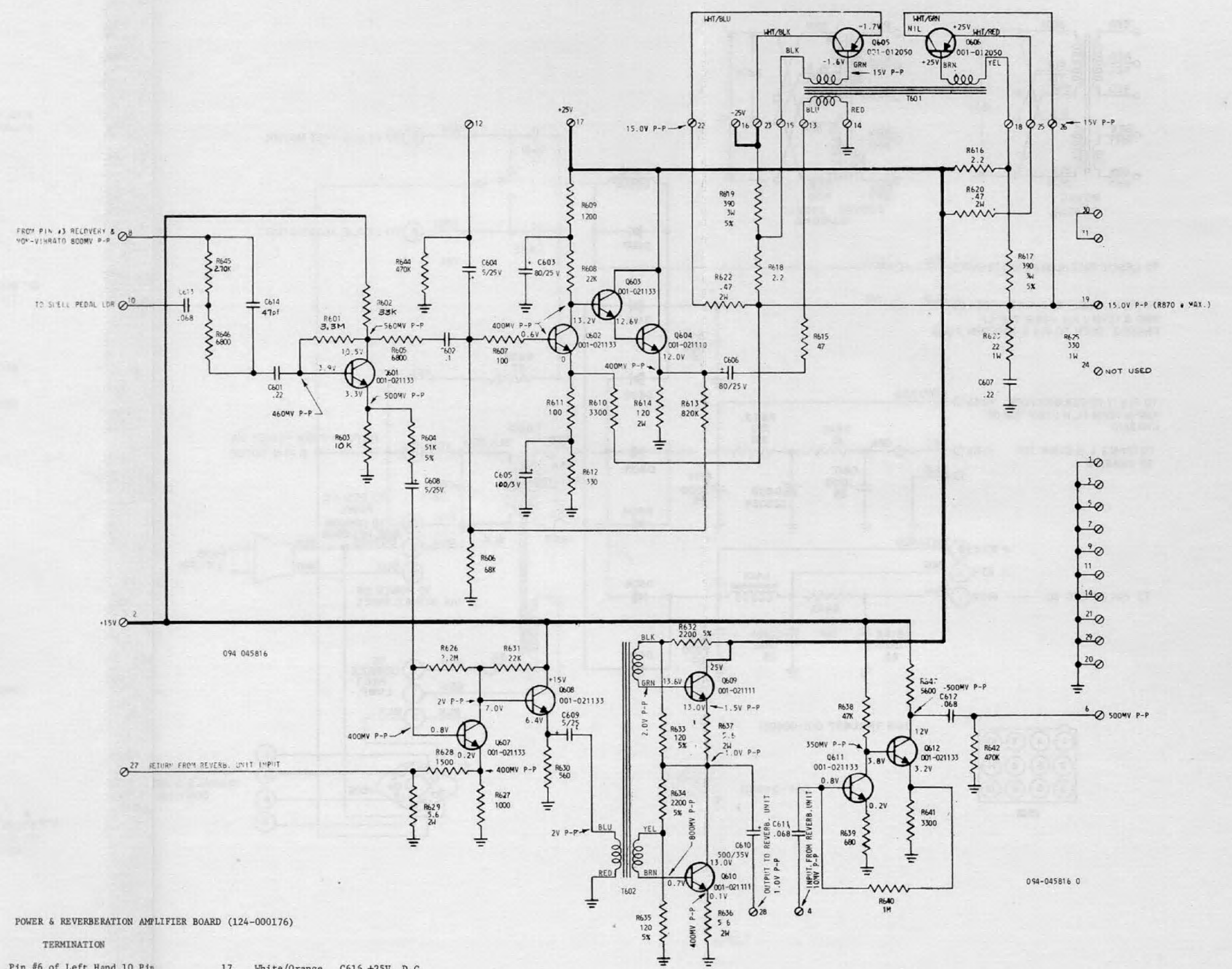
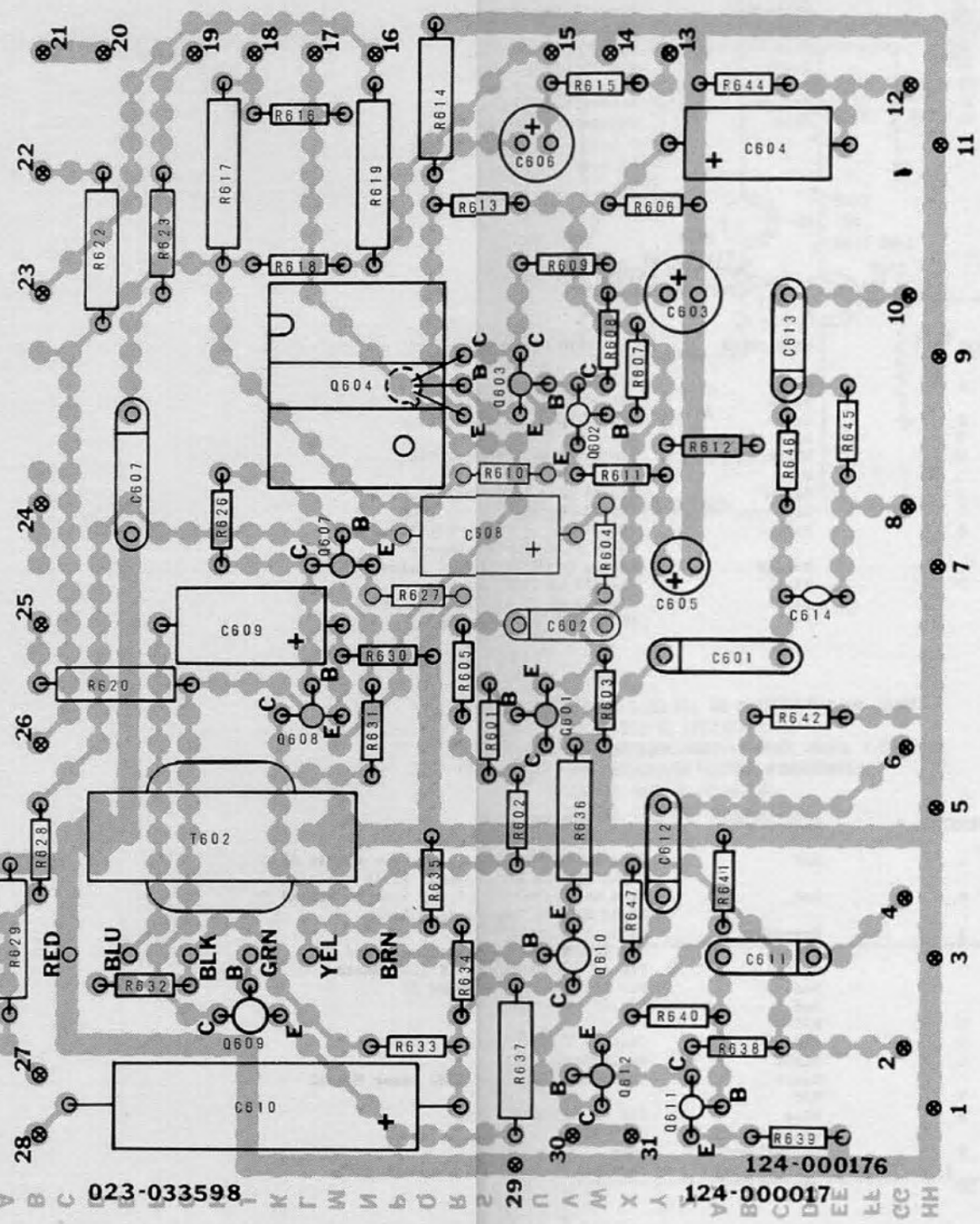


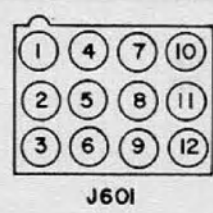
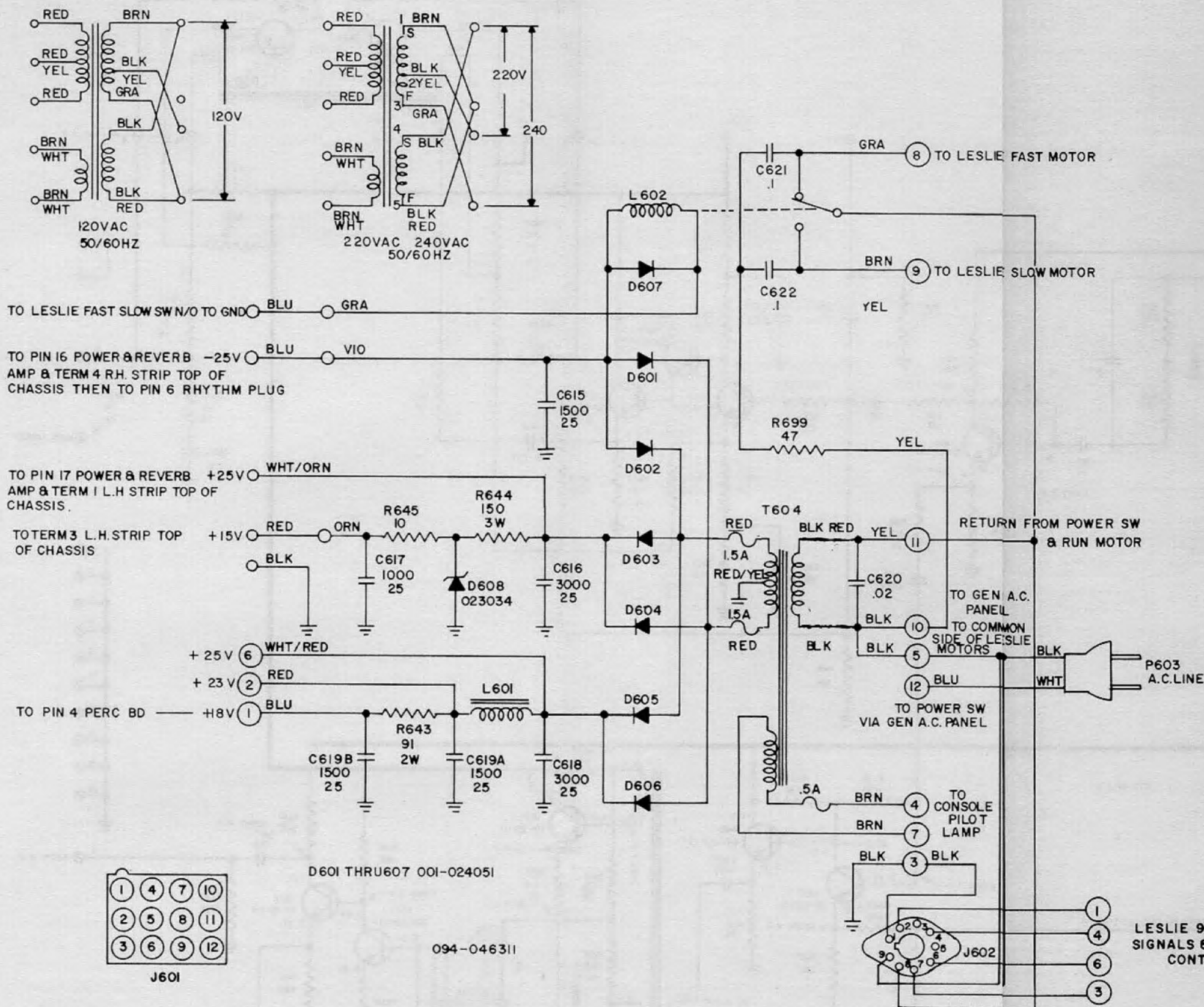
1 2 3 4 5 6 7 8 9 10 11 12 13 14 15 16 17 18 19 20 21 22 23 24 25 26 27 28 29 30 31 32 33 34



POWER & REVERBERATION AMPLIFIER BOARD (124-000176)

PIN #	WIRE COLOR	TERMINATION
1	Black	Pin #6 of Left Hand 10 Pin Terminal Strip Top of Power Supply
2	Orange	Pin #3 of Left Hand 10 Pin Terminal Strip Top of Power Supply
3	Shield	Blue Plug Output from Reverb Spring Unit.
4	Clear	Cut Off
5	Shield	"J" Cable Reverb II Switch Open
6	Clear	End 100K Resistor.
7	Shield	"K" Cable at Junction of 15 K & 5.6K Resistor between Reverb II & Volume Soft tabs.
8	Clear	"H" Cable at Junction of 2200 pf, 68K, 27K between Vibrato on Upper & Reverb I tabs.
9	Shield	To Swell Pedal
10	Clear	"H" Cable at Junction of 2200 pf, 68K, 27K between Vibrato on Upper & Reverb I tabs.
11	Shield	To Swell Pedal
12	Clear	"H" Cable at Junction of 2200 pf, 68K, 27K between Vibrato on Upper & Reverb I tabs.
13	Blue	T601
14	Red	T601
15	Black	T601
16	Violet	C615 -25V. D.C.
17	White/Orange	C615 +25V. D.C.
18	Yellow	T601
19	Green	Terminal #8 on 8 Pin Terminal Strip on Baffle Board near Generator.
20	Black	Terminal #6 on 8 Pin Terminal Strip on Baffle Board near Generator.
21	Black	To Chassis Ground Lug Under Side of Power Supply.
22	White/Blue	Emitter of Q605
23	White/Black	Collector of Q605
24	N/C	
25	White/Red	Emitter of Q606
26	White/Green	Collector of Q606
27	Shield	N/C
28	Clear	Red Plug to Reverb Spring Input
29	Shield	"C" Cable Components & Switch Board #6 between Vibrato on Upper & Reverb I tabs. Junction of 2200 pf & 15K.
30	Clear	To Expression Pedal. Cut Off
31	Clear	Shield

FIGURE 5-8
POWER & REVERB AMPLIFIER
BOARD 124-000176,
LAYOUT & SCHEMATIC



D601 THRU D607 001-024051
094-046311

PIN #	WIRE COLOR	TERMINATION
1	Blue	Junction C619B and R643 +18V. D.C.
2	Red	Junction C619A, R643, & L601 +23 V. D.C.
3	Black	Pin #1 of J602 Tremolo Plug
4	Brown	Pin #6 of 14 Pin Terminal Strip Underside of Power Supply Chassis
5	Black	Pin #11 of 14 Pin Terminal Strip Underside of Power Supply Chassis
6	White/Red	To C618 & L601 +25 V. D.C.
7	Brown	To Pin #8 of 8 Pin Terminal Strip Underside of Power Supply Chassis
8	Gray	Pin #1 of 8 Pin Terminal Strip Underside of Power Supply Chassis
9	Brown	Pin #8 of 8 Terminal Strip Underside of Power Supply Chassis
10	Black	Pin #9 Tremolo Plug
11	Yellow	Pin #12 of 14 Pin Terminal Strip Underside of Power Supply Chassis
12	Blue	Pin #14 of 14 Pin Terminal Strip Underside of Power Supply Chassis

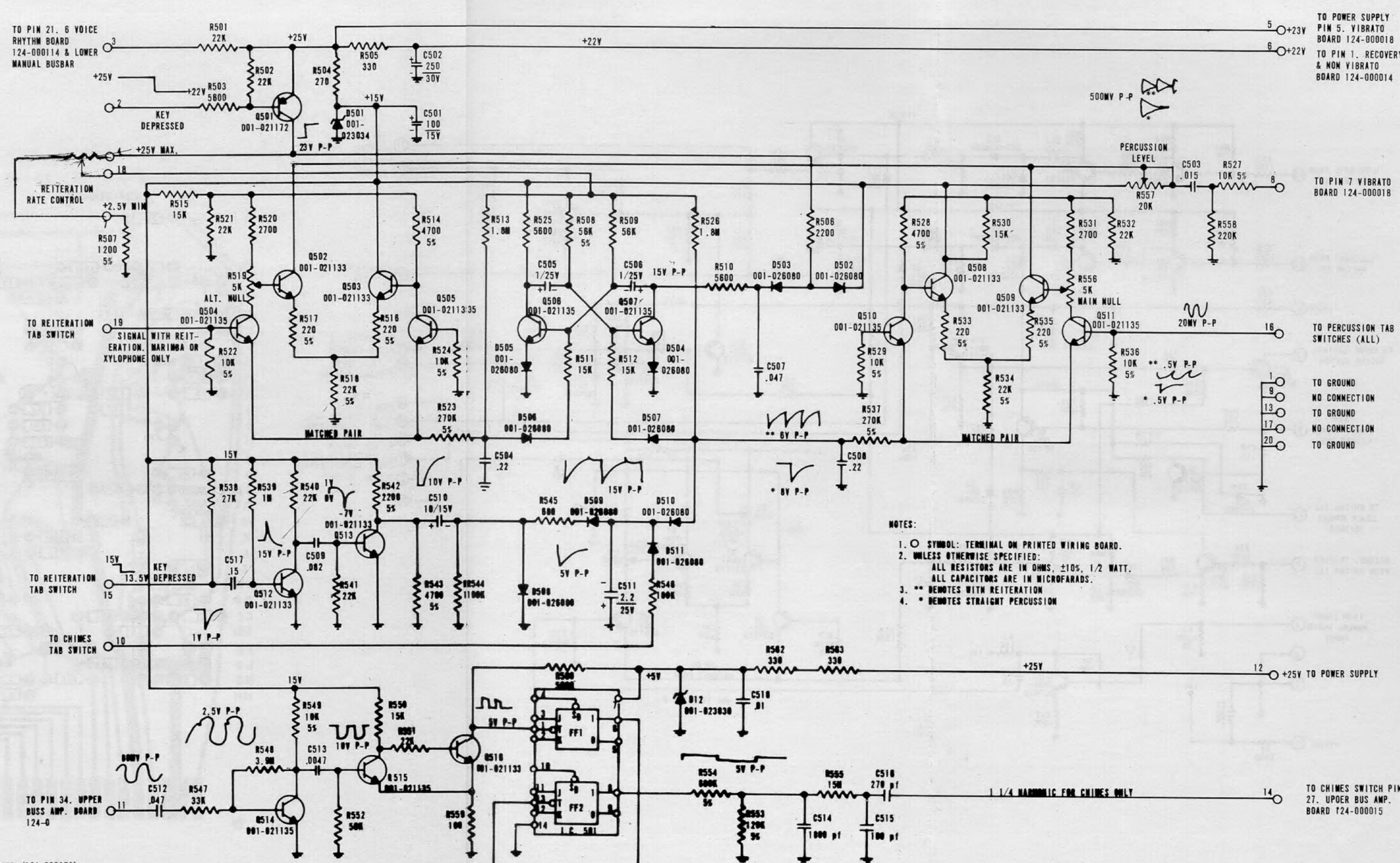
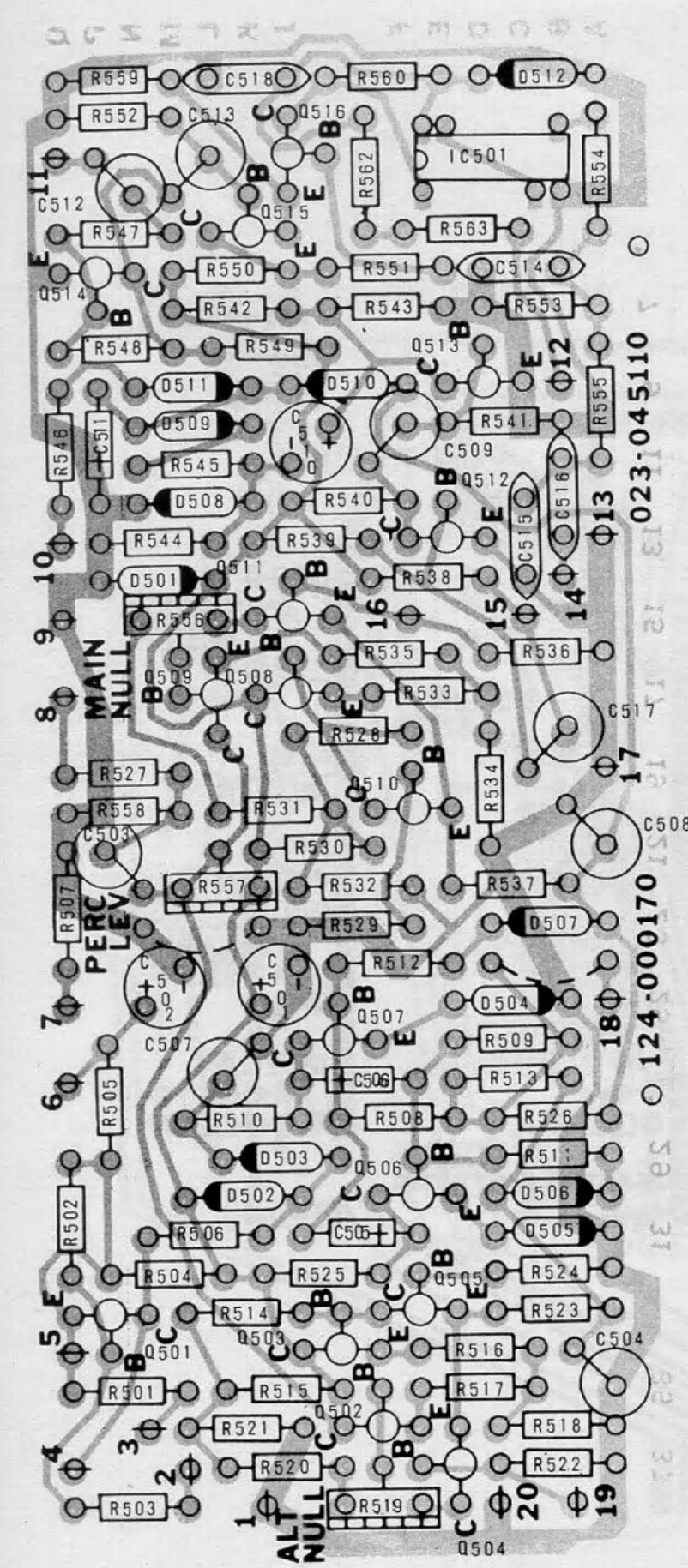
POWER SUPPLY PLUG (P601) (EXTERNAL CONNECTIONS)		
PIN #	WIRE COLOR	TERMINATION
1	Blue	Component & Switch Panel #1 Behind Reiterate Switch
2	Red	Component & Switch Panel #6 Behind Brilliance Tab
3	Black	Pin #1 Percussion Board
4	Brown	Pilot Light
5	Black	Tremolo Plug Pin #3
6	White/Red	Pin #12 Percussion Board
7	Brown	Pilot Light
8	Gray	Pin #2 Tremolo Plug
9	Brown	Pin #4 Tremolo Plug
10	Gray	Generator AC Panel
11	Yellow	Generator AC Panel
12	Blue	Generator AC Panel

J602 TONE CABINET PLUG (INTERNAL CONNECTIONS)		
PIN #	WIRE COLOR	TERMINATION
1	Black	Pin #3 of J601 Plug
2	Black	Ground Lug on Chassis
3	Green	Pin #1 Tremolo Control Plug
4	N/C	
5	White/Green	Pin #4 Tremolo Control Plug
6	N/C	
7	Brown	Pin #6 Tremolo Control Plug
8	Red	Pin #3 Tremolo Control Plug
9	Yellow	Pin #12 of 14 Pin Terminal Strip Under Side of Power Supply Common Terminal Tremolo Relay
10	Black	Pin #10 of J601 Plug
11	Black	Pin #11 of 14 Pin Terminal Strip Under Side of Power Supply

POWER SUPPLY 10 LUG TERMINAL STRIP (TOP SIDE) LEFT HAND SIDE (VIEWED FROM REAR OF CONSOLE)		
TERMINAL #	WIRE COLOR	TERMINATION
1	Red	From Anode D606 to 1.5 Amp Fuse to Pin #1 Right Hand 10 Lug Terminal Strip
2	Red	From Anode D605 to 1.5 Amp Fuse to Pin #2 Right Hand 10 Lug Terminal Strip
3	Orange	+15V. D.C. from C617
4	Orange	Pin #2 Power & Reverberation Board
5	Orange	Pin #7 Pedal Divider & Filter Board
6	Red	Pin #10 Pedal Keyer Board #1
7	Red	Pin #1 Auto Chord Board
8	N/C	
9	Black	Chassis Ground Lug
10	Black	Swell Pedal
11	Black	Ground Lug Back Left Side Upper Manual
12	N/C	
13	Blue	Pin #1 Rhythm III Plug
14	White/Orange	C616 +25V.
15	White/Brown	Fuse
16	White/Brown	Terminal #6 of 14 Pin Terminal Strip
17	N/C	

POWER SUPPLY 10 LUG TERMINAL STRIP (TOP SIDE) RIGHT HAND SIDE (VIEWED FROM REAR OF CONSOLE)		
TERMINAL #	WIRE COLOR	TERMINATION
1	Red	Power Transformer
2	Red	Fuse 1.5A to Terminal #1 of Left Hand Strip
3	Red	Fuse 1.5A to Terminal #2 of Left Hand Strip
4	Brown	Terminal #6 of 14 Terminal Strip
5	White	Expression Pedal
6	N/C	
7	Violet	To C615 -25V D.C.
8	Orange	To Cassette
9	Orange	To Pin #8 of Auto Chord
10	Brown	Terminal #7 of 7 Terminal Strip
11	Black	Expression Pedal
12	N/C	
13	Gray	Tremolo Relay & Cathode of D-607
14	Gray	Lower Left Hand Endblock
15	White/Brown	Power Transformer
16	White/Brown	Fuse (.5A) to Terminal #9 of Left Hand
17	N/C	10 Terminal Strip

FIGURE 5-9
POWER SUPPLY CHASSIS
124-000176 - 124-000178
SCHEMATIC

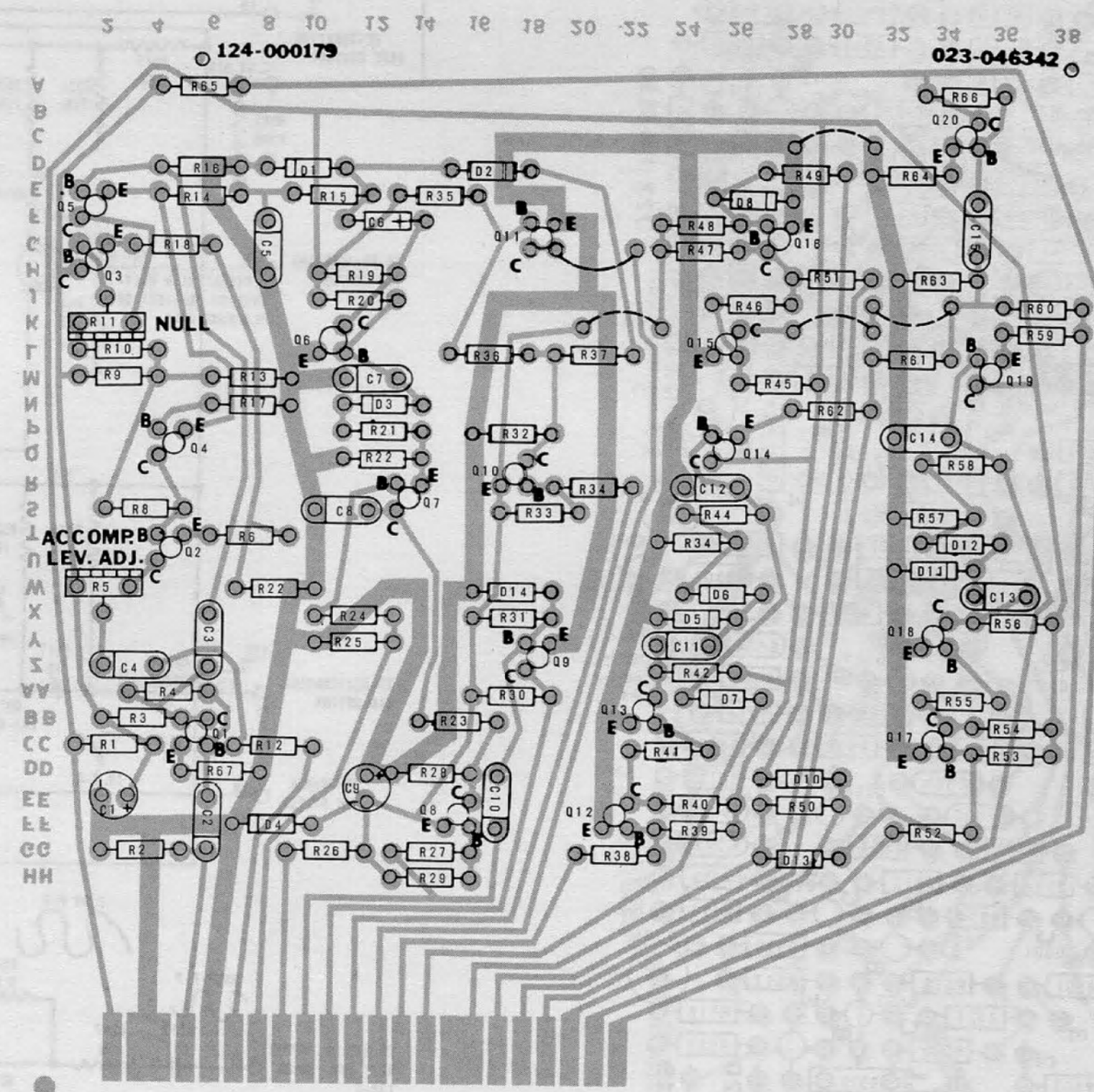
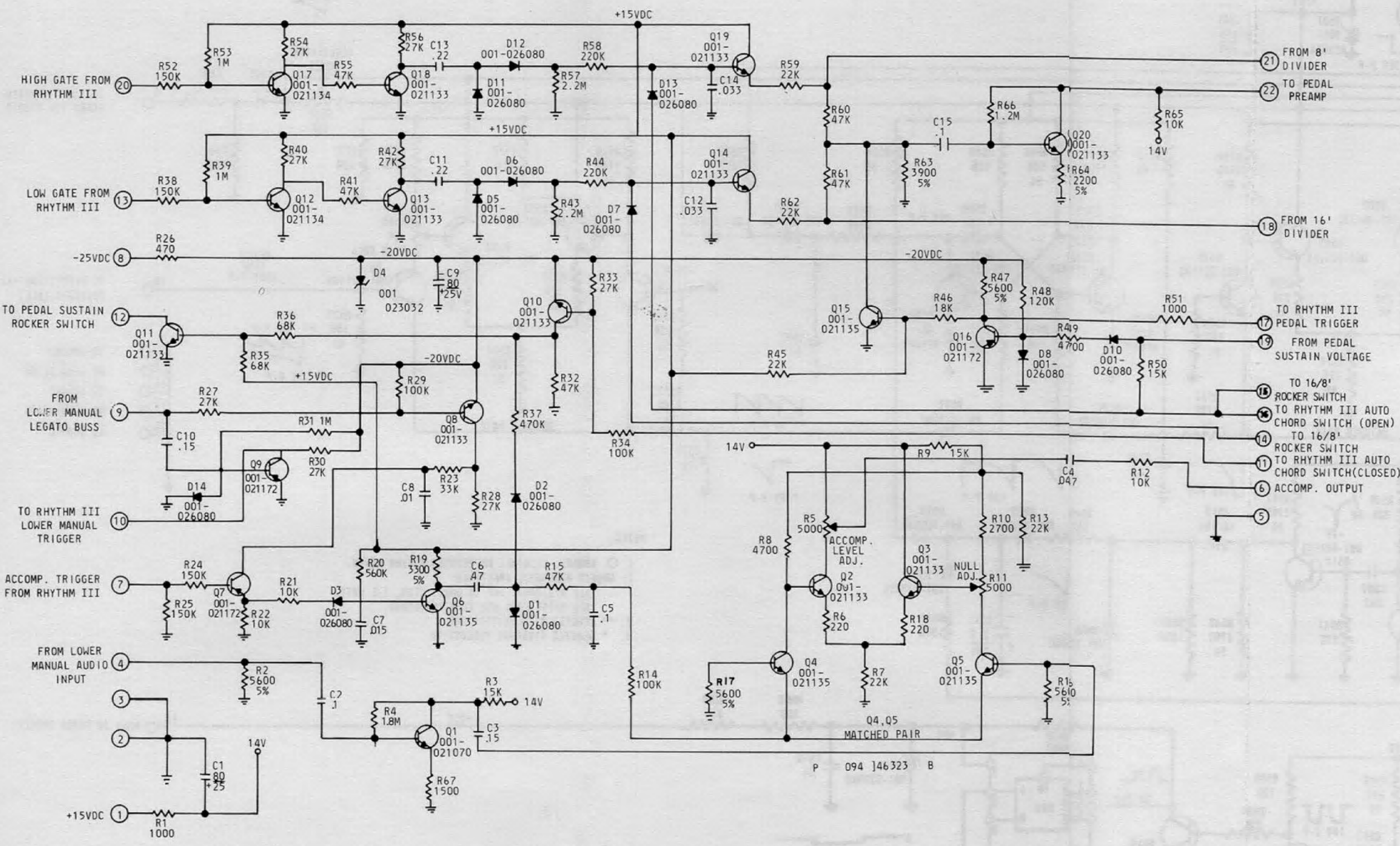


- NOTES:
1. ○ SYMBOL: TERMINAL ON PRINTED WIRING BOARD.
 2. UNLESS OTHERWISE SPECIFIED: ALL RESISTORS ARE IN OHMS, ±10%, 1/2 WATT. ALL CAPACITORS ARE IN MICROFARADS.
 3. ** REMOTES WITH REITERATION
 4. * REMOTES STRAIGHT PERCUSSION

PERCUSSION BOARD (124-000170)

PIN #	WIRE COLOR	TERMINATION
1	Black	Pin #3 of J601
2	Red	Reiterate Switch
3	N/C	
4	Yellow	Reiteration Rate Control Pot
5	Red	Tie Terminal Behind Brilliance Tab
6	Red	Pin #5 Vibrato Board
7	Yellow	Pin #1 Recovery & Non-Vibrato Board
8	Violet	Reiteration Rate Control Pot
9	Violet	Pin #7 Vibrato Board
10	N/C	
11	Gray	Chimes Switch
12	Brown	Pin #34 Upper Manual Bus Amplifier Board
13	White/Red	Pin #6 of J601 in Power Supply
14	Black	Grounding Lug Back of Upper Manual
15	Orange	Chimes Switch
16	White	Reiterate Switch
17	Clear	Banjo Switch, Lower Contact
18	Shield	Banjo Switch, Upper Contact
19	N/C	
20	White	Reiteration Rate Control Pot
21	White	Reiteration Switch, Lower Contact
22	Clear	Reiteration Switch, Cut Off
23	Shield	

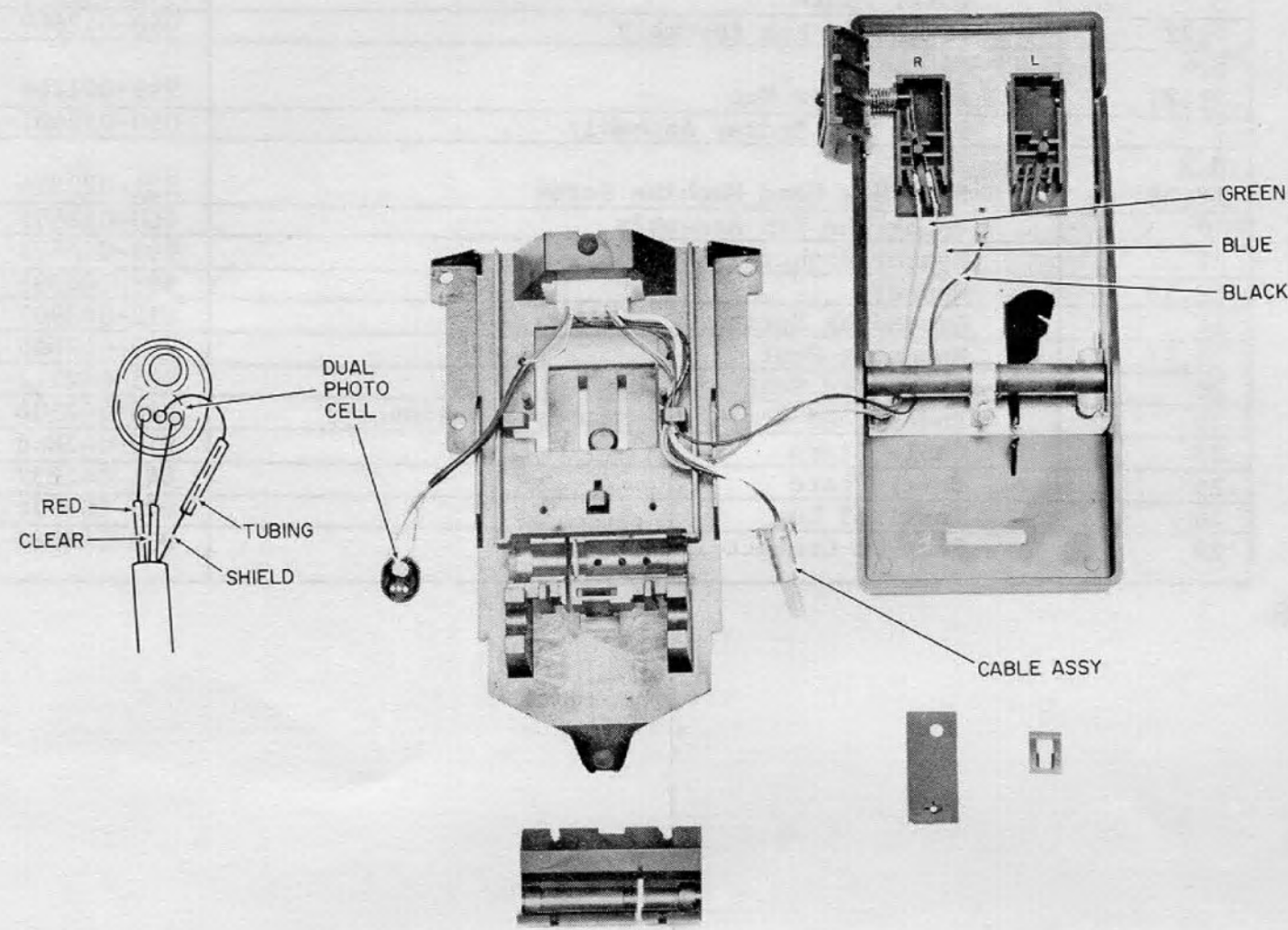
FIGURE 5-10
PERCUSSION BOARD 124-000170,
LAYOUT & SCHEMATIC



AUTO CHORD BOARD (124-000179)

PIN #	WIRE COLOR	TERMINATION	PIN #	WIRE COLOR	TERMINATION
1	Red	Pin #4 left hand 10 lug terminal strip top of power supply chassis +15 V D.C.	11	Blue	Pin #4, P5 Rhythm Plug
2	Black	Ground lug back of Upper Manual	12	White/Blue	Lower Manual left hand endblock, pedal 16'/8' rocker tab.
3	N/C		13	Cray	Pin #8, P5 Rhythm Plug
4	Clear	Cable "A" Switch Panel & Components Board #1 Contact of Lower Manual Tonebars Tab Switch	14	White	Lower Manual left hand endblock, pedal 16'/8' rocker tab.
	Shield	Lower Manual Ensemble 8 Switch Contact	15	White/Black	Lower Manual left hand endblock, pedal 16'/8' rocker tab.
5	Shield	Cable "B" Switch Panel & Components Board #1 junction shield cable & 4.7 K	16	White/Black	Pin #5, J5 Rhythm Plug
6	Clear	Pin #10, P5 Rhythm Plug	17	White/Brown	Pin #7, J5 Rhythm Plug
7	Yellow	Pin #6 right hand 10 lug terminal strip top of power supply chassis.	18	White/Red	Pin #11, Pedal Filter & Divider Board
8	Orange	Lower Manual Brush Keying Bus	19	White/Violet	Pedal Keyer Board #1 Pin #8
9	Brown	Pin #6, P5 Rhythm Plug	20	White/Orange	Pin #9, J5 Rhythm Plug
10	Green		21	White/Yellow	Pin #12 Pedal Filter & Divider Board
			22	Clear	Pin #2 Pedal Filter & Divider Board
				Shield	Pin #6 Pedal Filter & Divider Board

FIGURE 5-11
AUTO CHORD
BOARD 124-000179,
LAYOUT & SCHEMATIC



EXPRESSION PEDAL (123-000061)
INTERNAL CONNECTIONS

PIN #	WIRE COLOR	TERMINATION
1	Red	Dual Photo Cell Cable
2	Bare	
3	Clear	
4	N/C	Foot Switch Right Side
5	N/C	
6	N/C	
7	N/C	
8	N/C	Expression Pedal Lamp
9	N/C	
10	Green	
11	Blue	Foot Switch Right Side
12	N/C	
13	N/C	Expression Pedal Lamp
14	Black	
15	Black	

EXPRESSION PEDAL (123-000061)
EXTERNAL CONNECTIONS

PIN #	WIRE COLOR	TERMINATION
1	Clear - Cable	Pin #10 Power & Reverb Amplifier Board
2	Shield	Common for Pins 1 & 3
3	Clear - Cable	Pin #31 Power & Reverb Amplifier Board
4	N/C	Pin #3 Plug J5 Rhythm III
5	N/C	
6	N/C	
7	N/C	
8	N/C	Pin #7 Left Hand 10 Lug Terminal Strip Top of Power Supply Chassis
9	N/C	
10	Brown	Pin #3 of Right Hand 10 Lug Terminal Strip Top of Power Supply Chassis
11	Black	
12	N/C	
13	N/C	Pin #6 of Right Hand 10 Lug Terminal Strip Top of Power Supply Chassis
14	White	
15	Black	

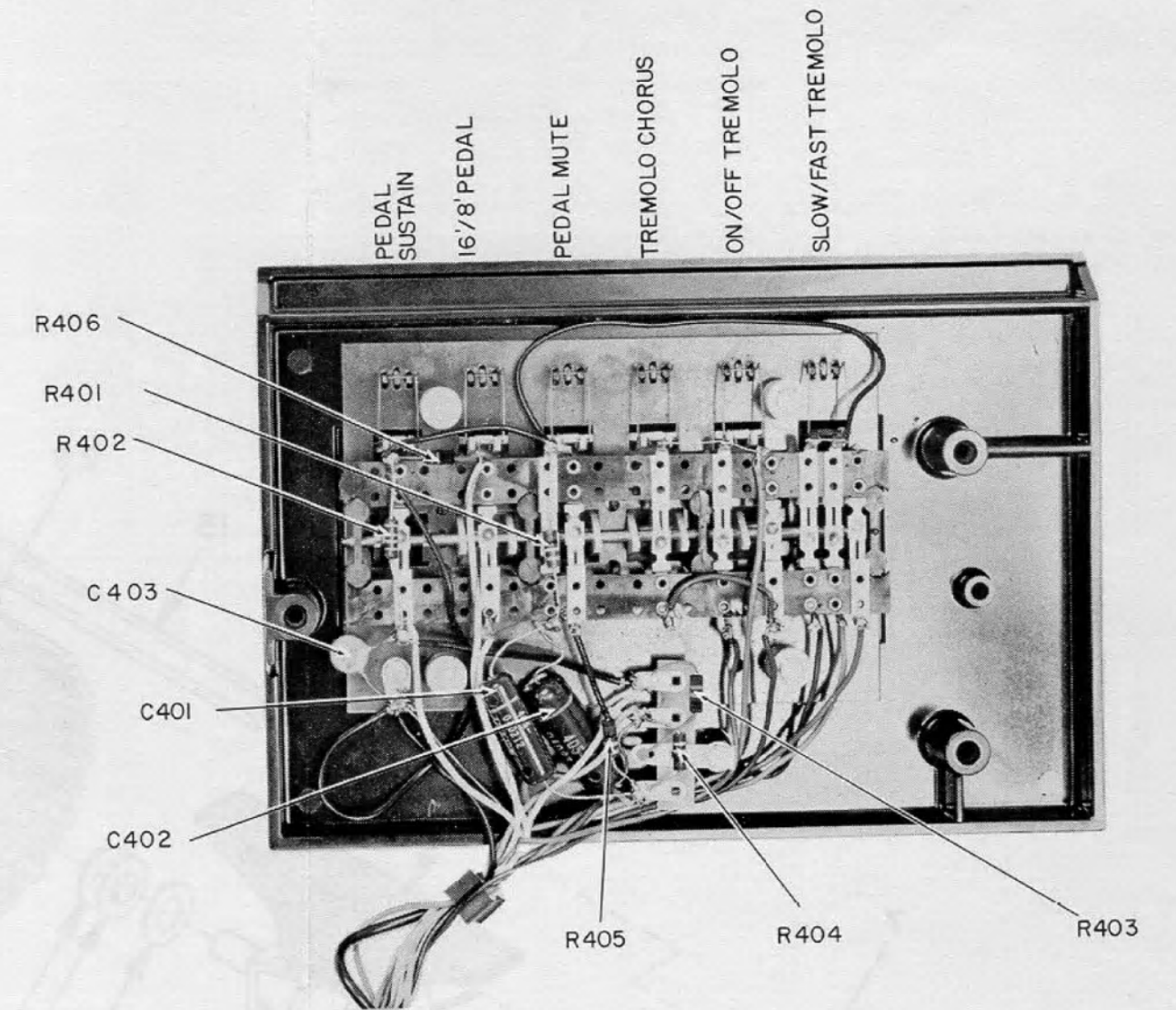


FIGURE 5-12
SPECIAL EFFECTS END BLOCK
125-000073, LAYOUT

FIGURE 5-13
EXPRESSION PEDAL
123-000061, LAYOUT

Item No.	Part Name	Part No.
1,2 27,28	Pan Head Thread Cutting Screw	907-030314
3	Cover Plate	041-042236
4,22	Brush and Lug Assembly	060-042609
5,6 21,24	#8 Keys Hex Nut	999-001264
7	Drive and Endcap Assembly	060-042601
8,9	Sems Hex Head Machine Screw	831-020314
10	Rotor and Pin Assembly	060-042597
11	Spacer Washer (Phenolic)	999-044671
12,13	Washer	999-044395
14	Grounding Spring	012-043907
15,17	Mounting Post	044-042865
16	Segmented Scanner Tube	045-042112
20	Endcap and Bearing Assembly (Stationary)	060-047300
23	Cable Clamp	013-042866
25	Cover Plate	041-042237
26	Terminal Lug	007-002974
29	Snap-On Contact (16-Used)	030-042583

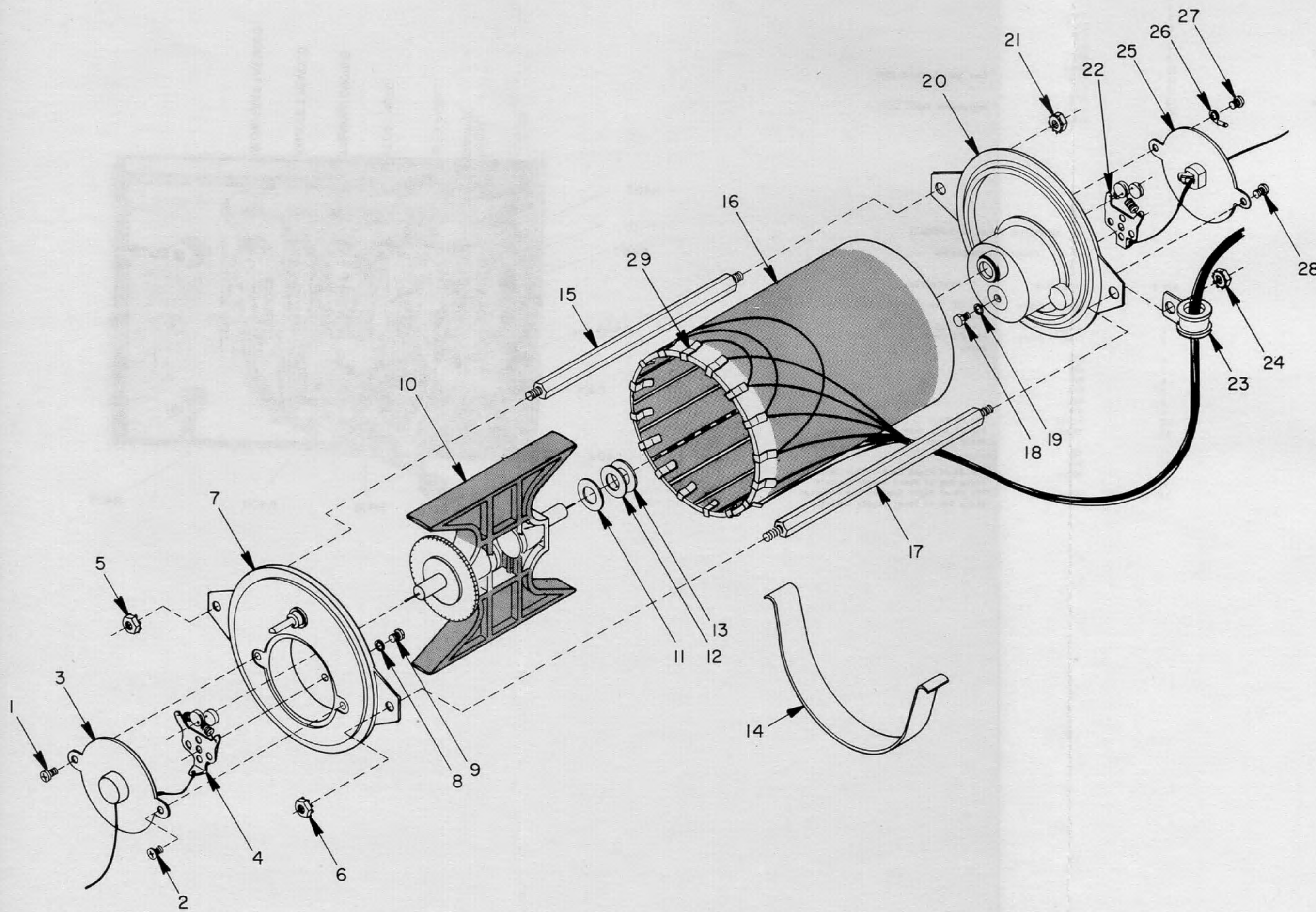
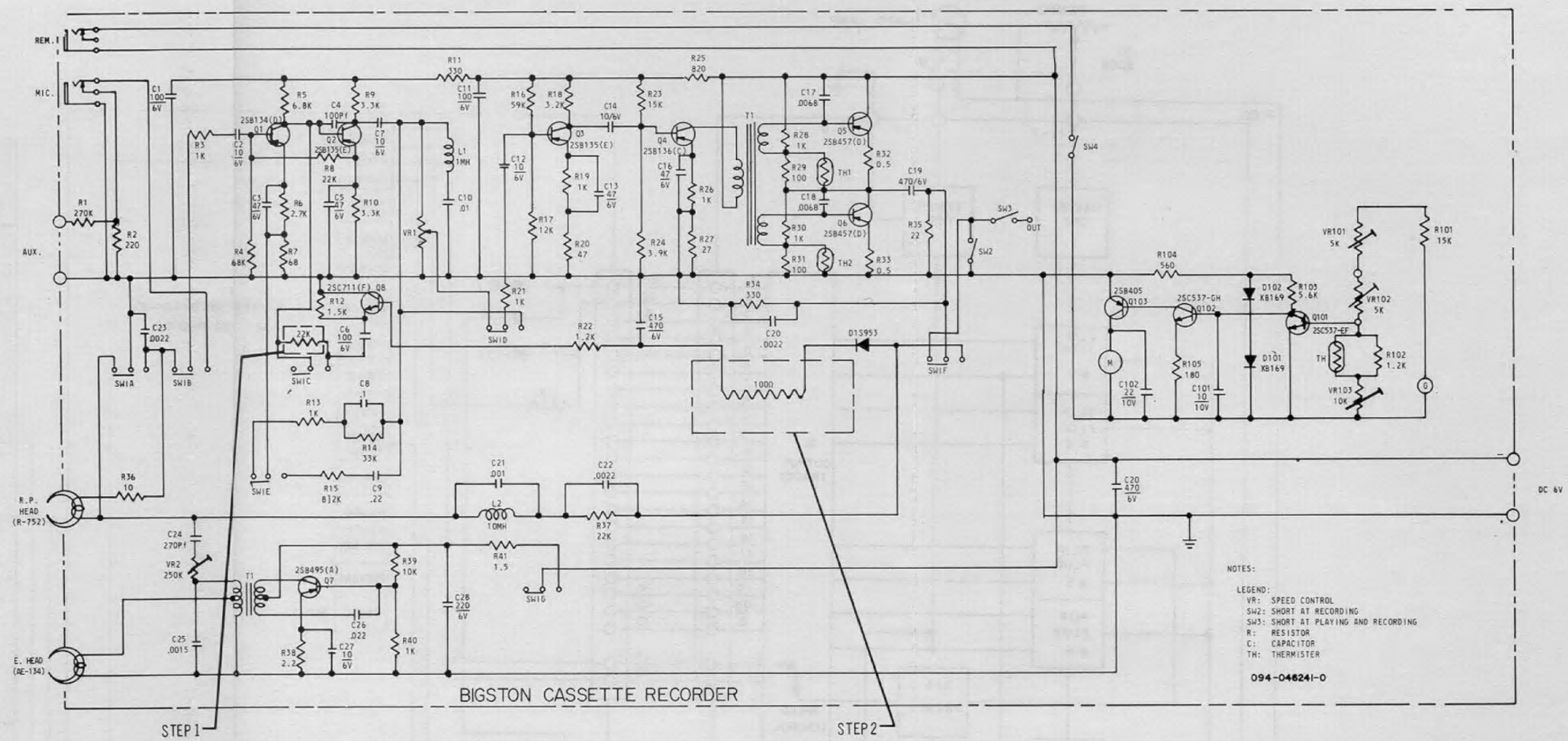
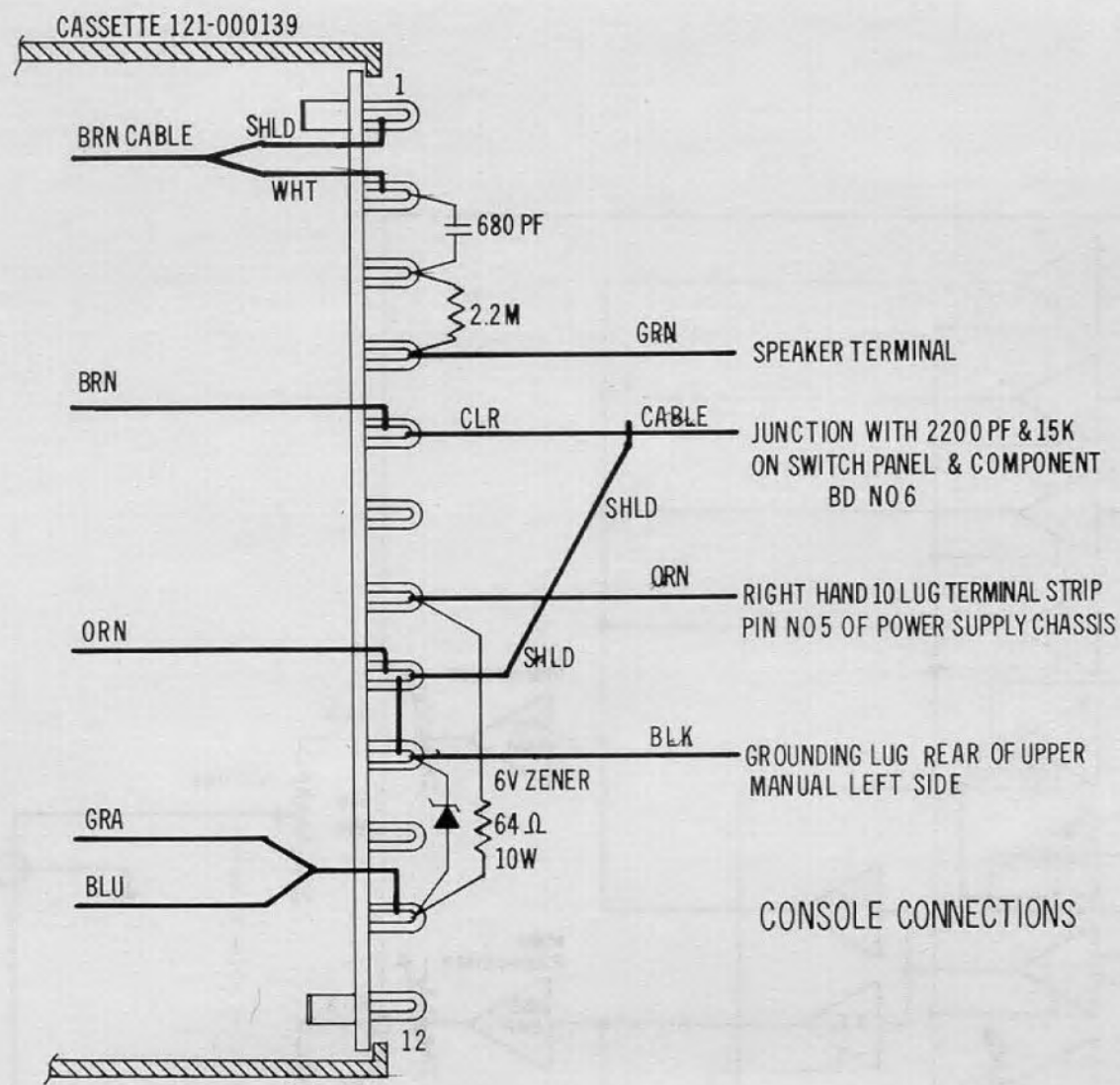


FIGURE 5-14
DRUM SCANNER
066-042874



CASSETTE RECORDER VOLUME FLUCTUATIONS

In order to correct the volume level changes which take place when recording directly from these models, we suggest making the following changes.

Refer to Figure A and Cassette Schematic.

1. Add 22K (1/2 or 1/4 watt) resistor across record terminals (one end on C6) of SW-1C to keep C6 polarized.
2. Add 100 ohm (1/2 or 1/4 watt) resistor in series with diode D1 (one end of C15) to prevent overcharging of C15 on beginning of large signals.
3. Operate each unit for 5 minutes in the record mode.
4. Test cassette by recording a high level signal for a period of one minute.

NOTE

If Large amplitude of level changes are observed, replace C6 or return cassette unit to factory for replacement.

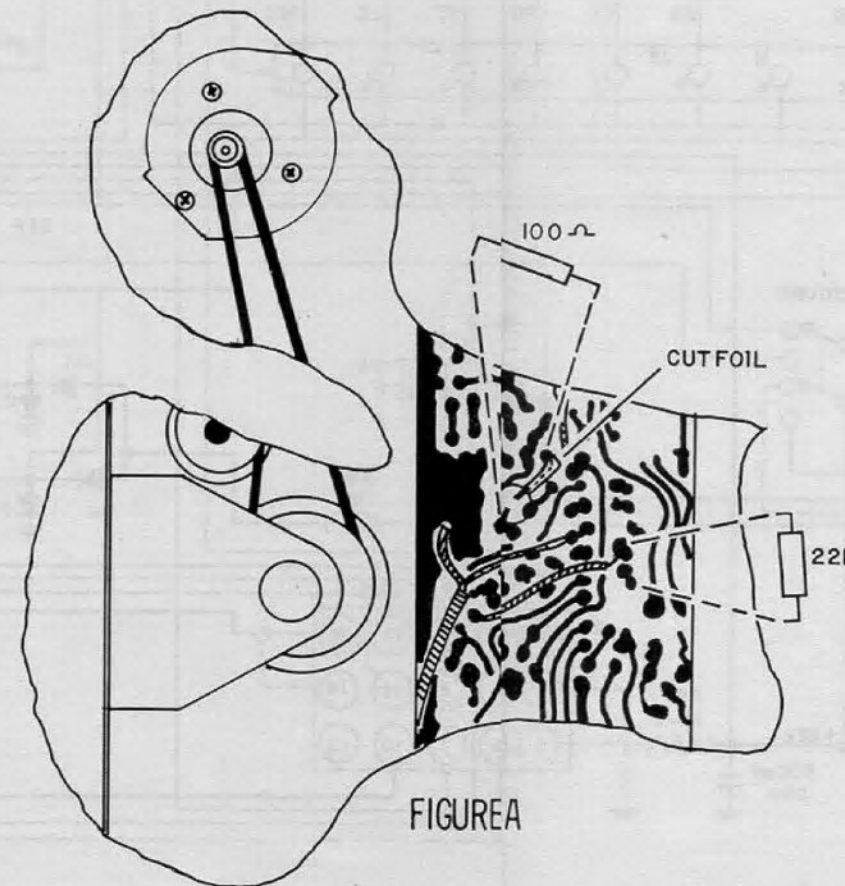
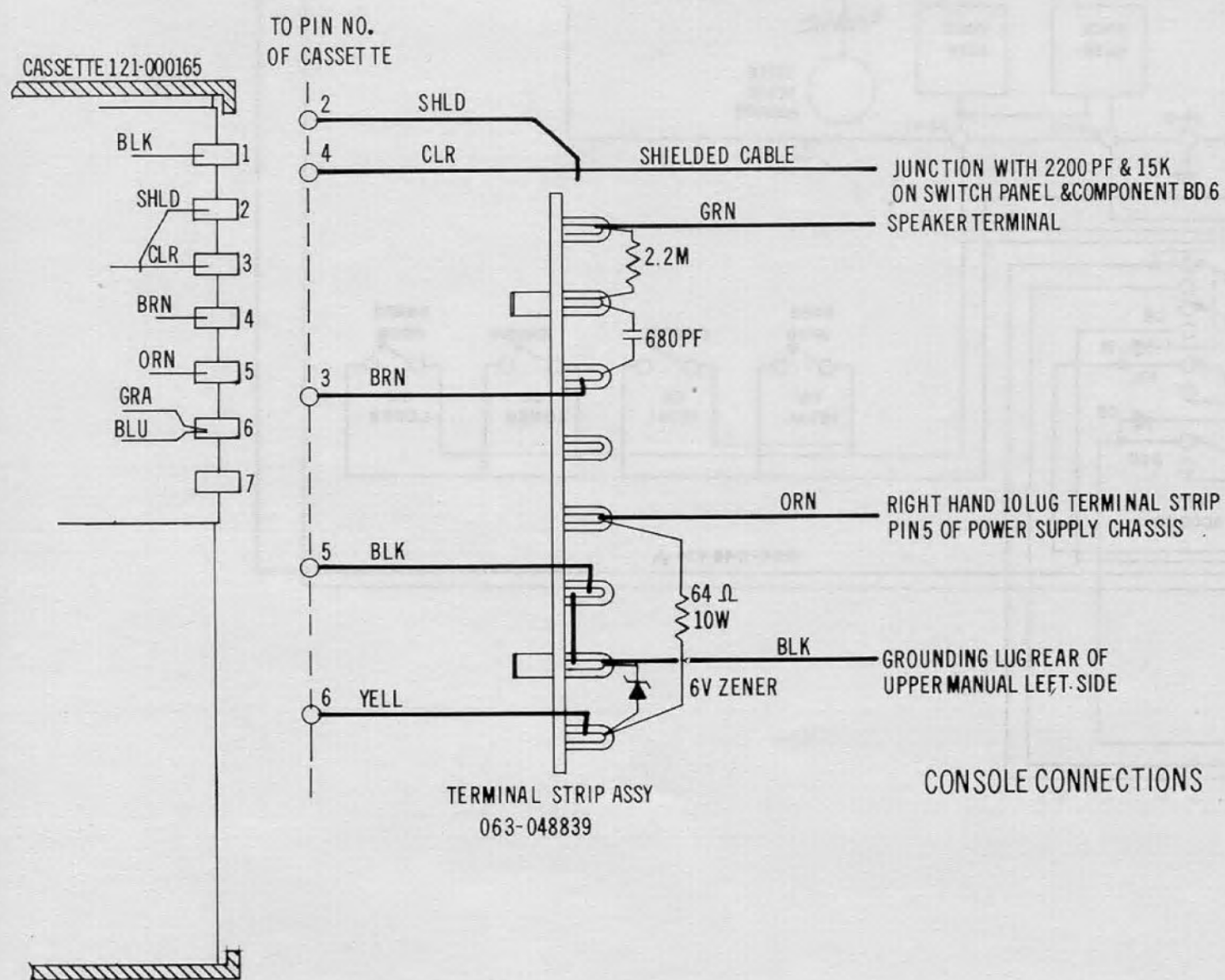


FIGURE 5-15
CASSETTE RECORDER ASSEMBLY
121-000139 & 121-000165,
LAYOUT & SCHEMATIC

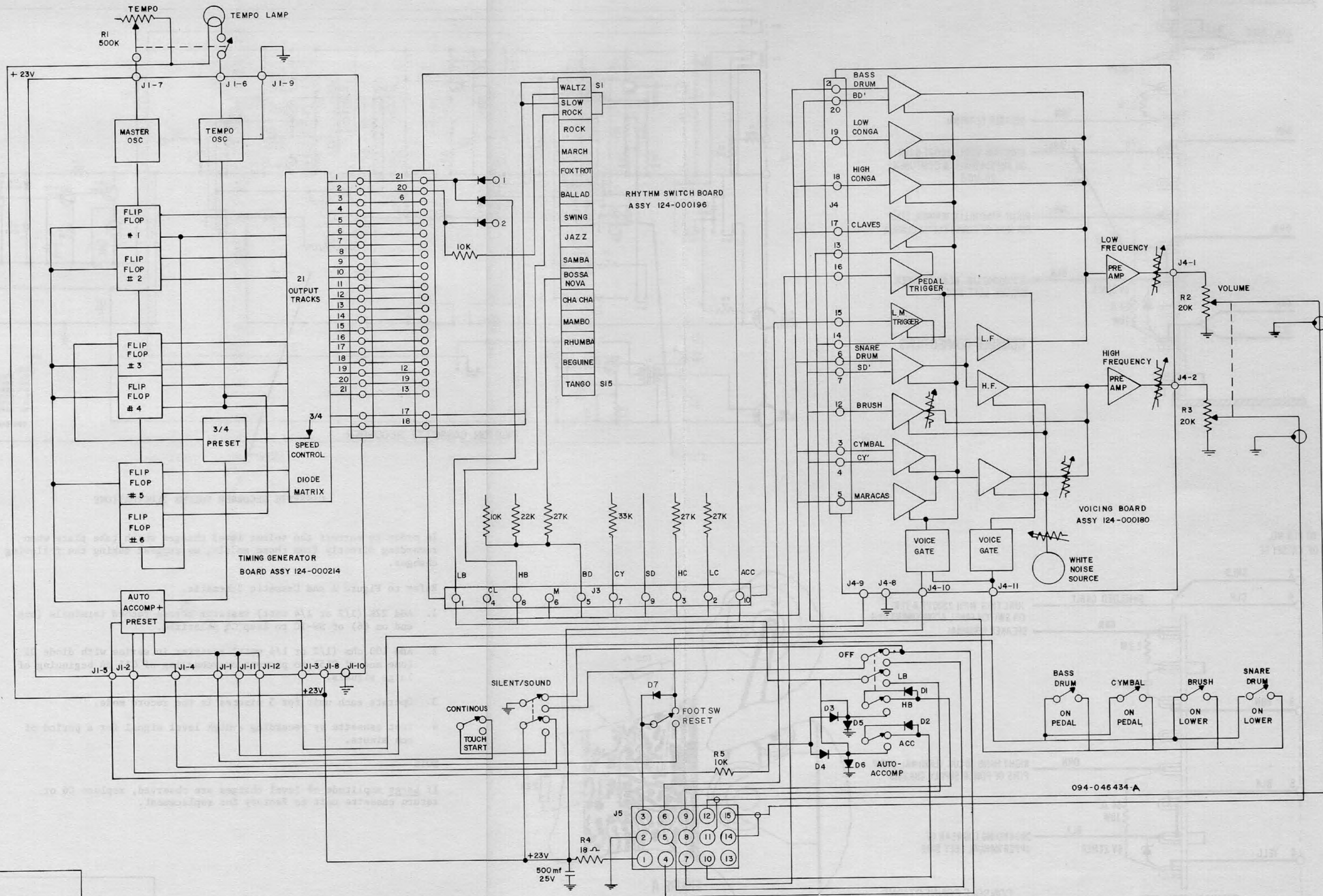


FIGURE 5-16
RHYTHM III
BLOCK LOGIC DIAGRAM
125-000082

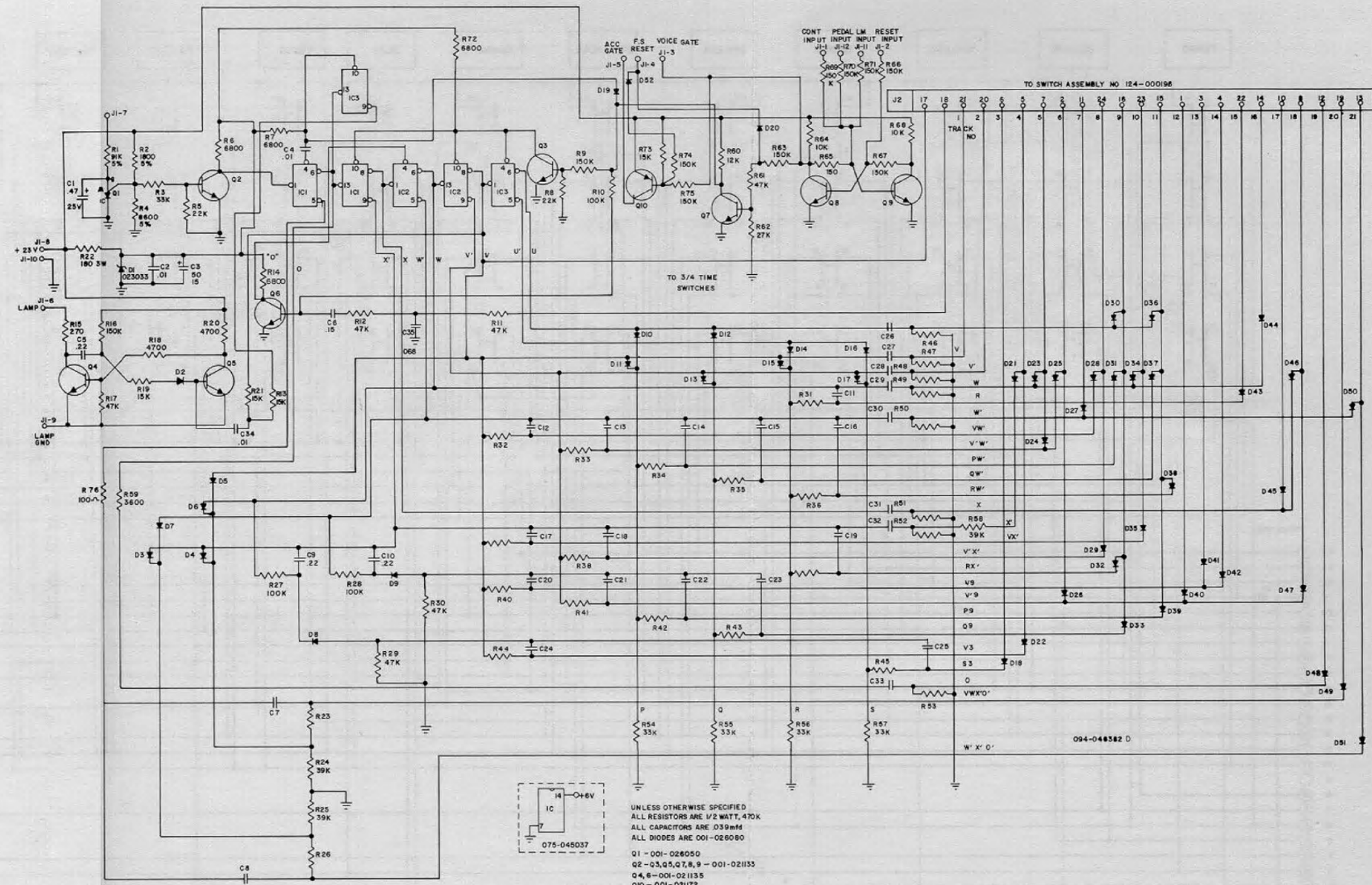
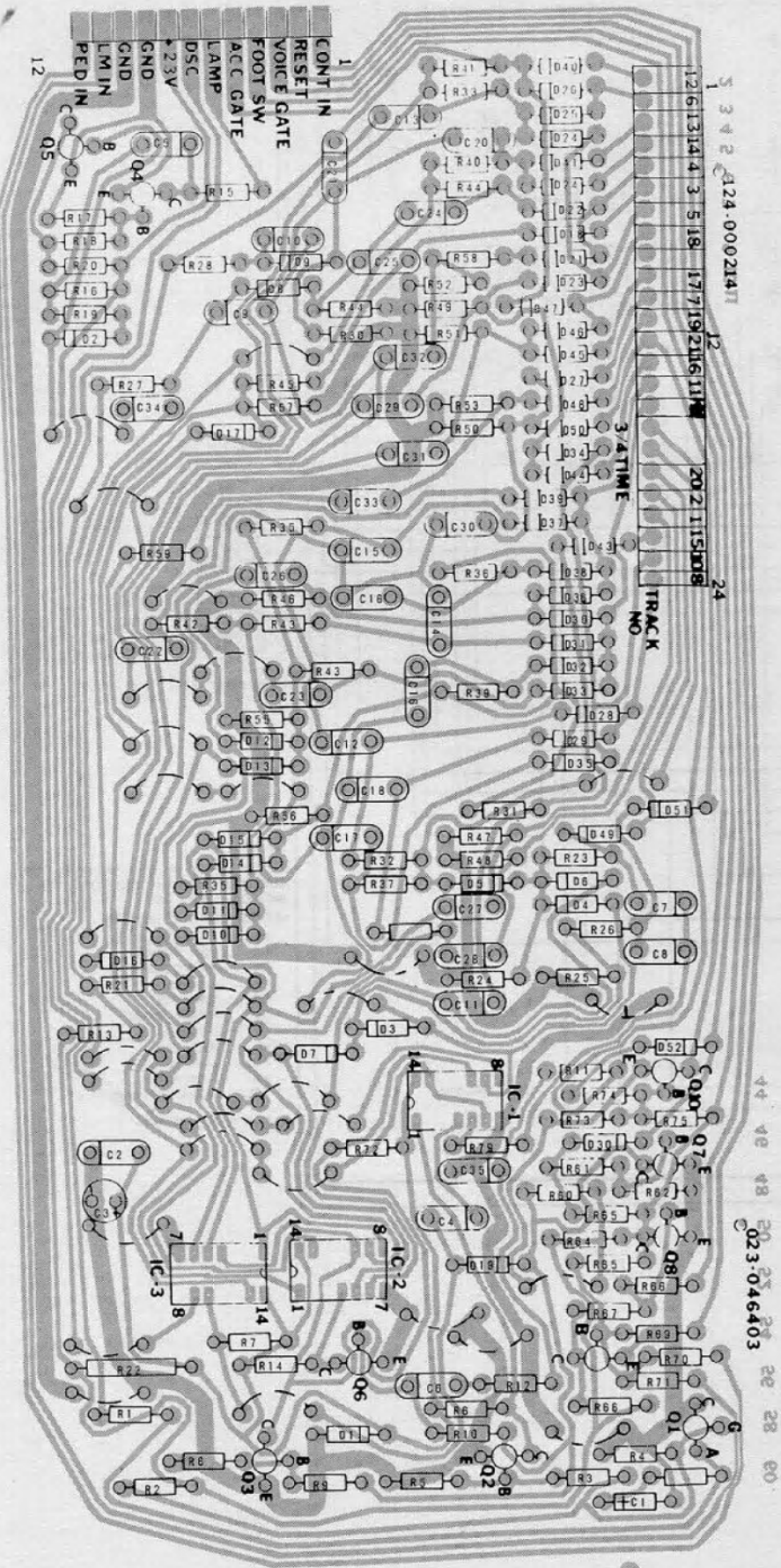
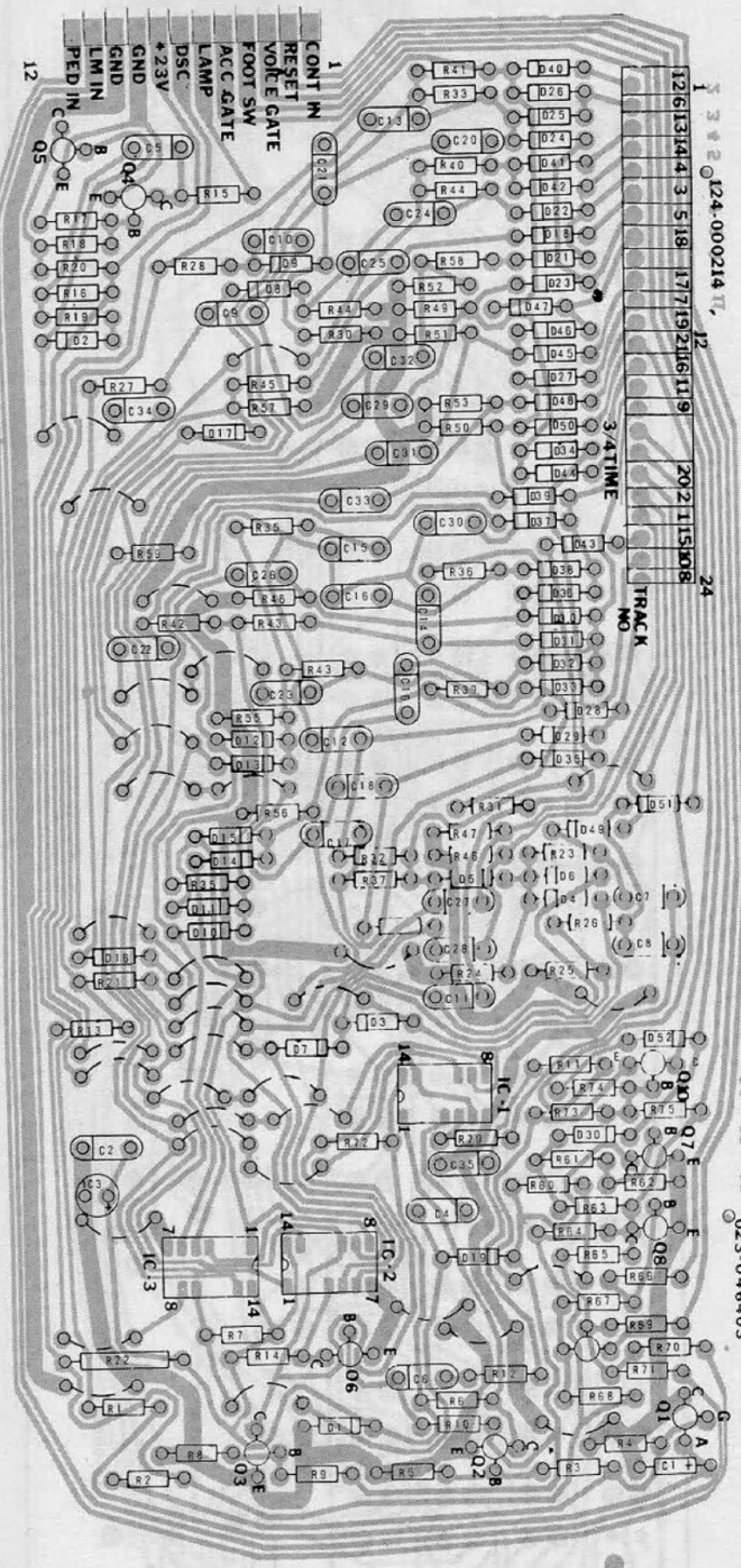
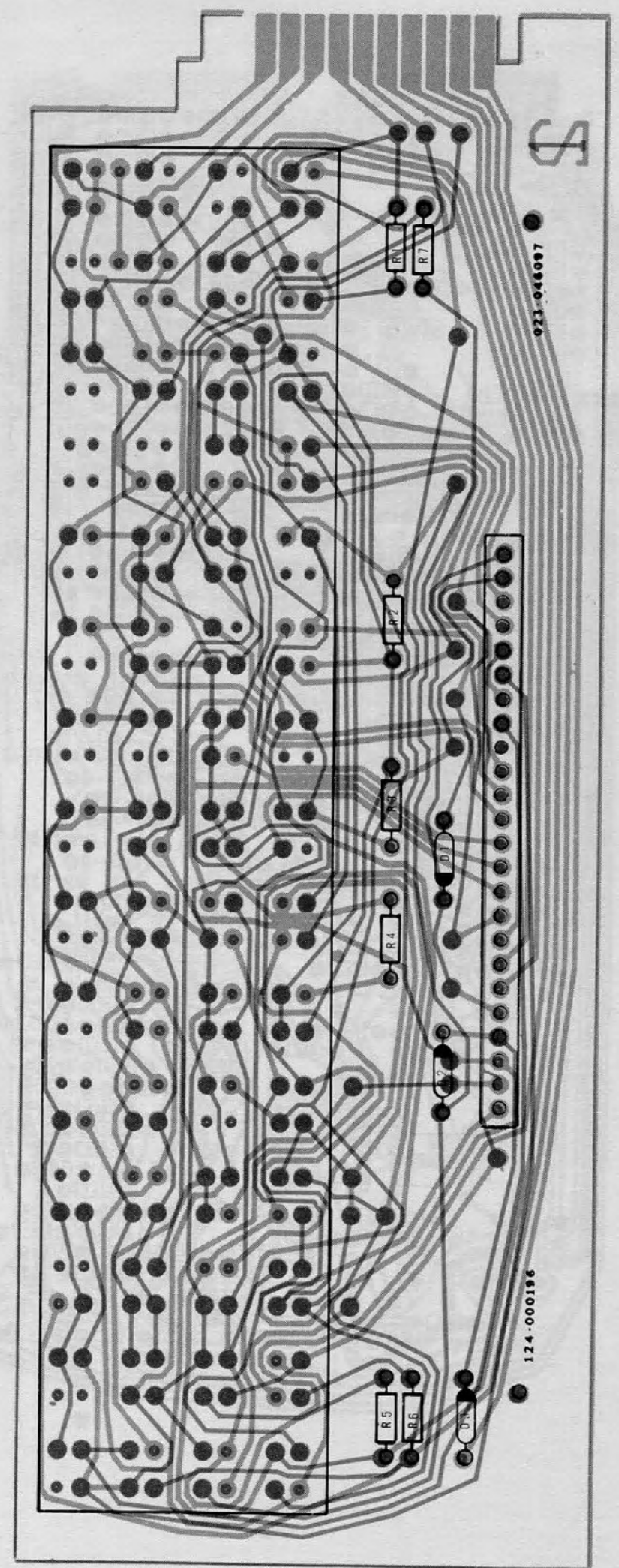
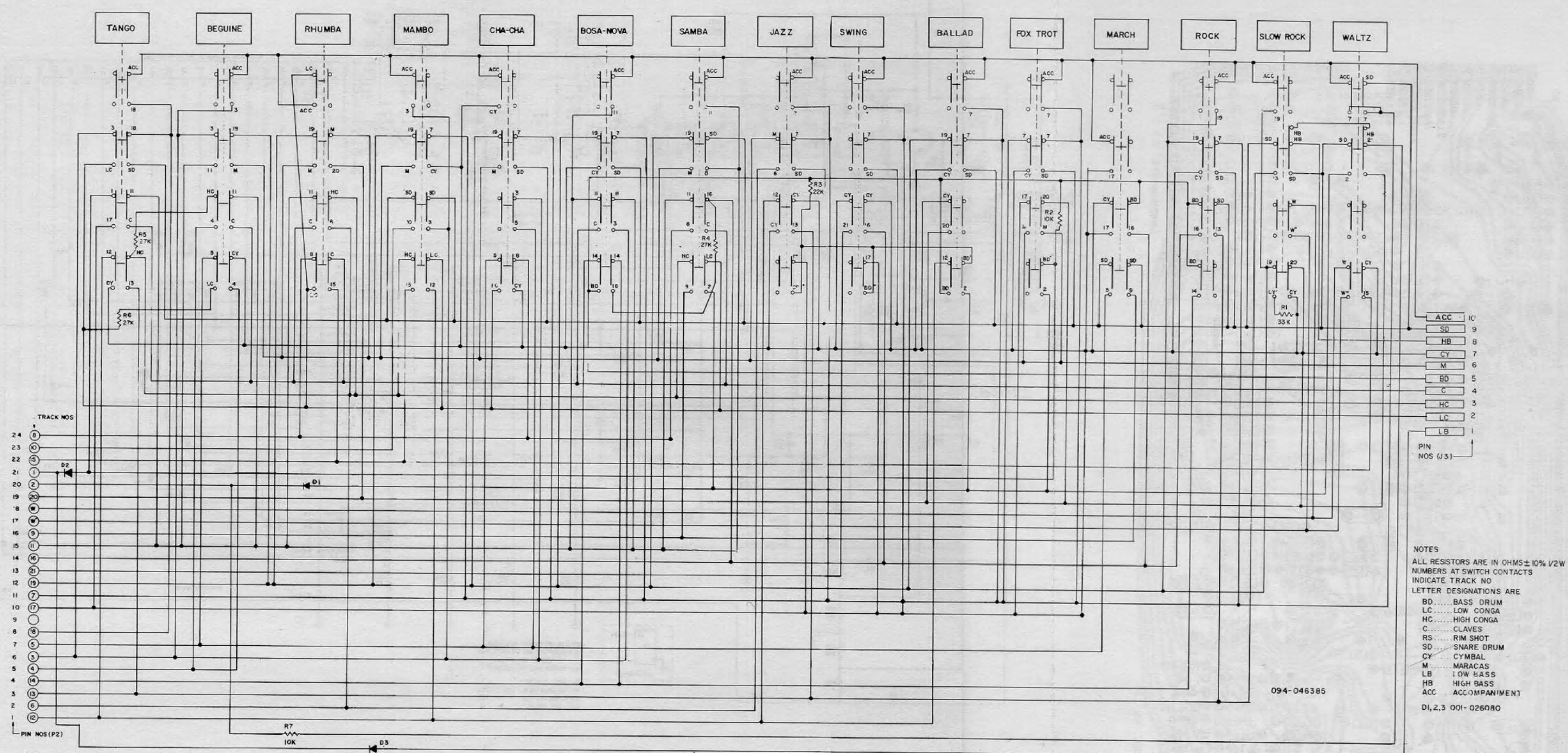


FIGURE 5-17
 RHYTHM III GENERATOR & TRACK GATE
 BOARD 124-000214,
 LAYOUT & SCHEMATIC



NOTES
 ALL RESISTORS ARE IN OHMS ± 10% 1/2W
 NUMBERS AT SWITCH CONTACTS
 INDICATE TRACK NO
 LETTER DESIGNATIONS ARE
 BD... BASS DRUM
 LC... LOW CONGA
 HC... HIGH CONGA
 C... CLAVES
 RS... RIM SHOT
 SD... SNARE DRUM
 CY... CYMBAL
 M... MARACAS
 LB... LOW BASS
 HB... HIGH BASS
 ACC... ACCOMPANIMENT
 D1,2,3 001-026090

FIGURE 5-18
 RHYTHM III SELECTOR SWITCH
 BOARD 124-000196,
 LAYOUT & SCHEMATIC

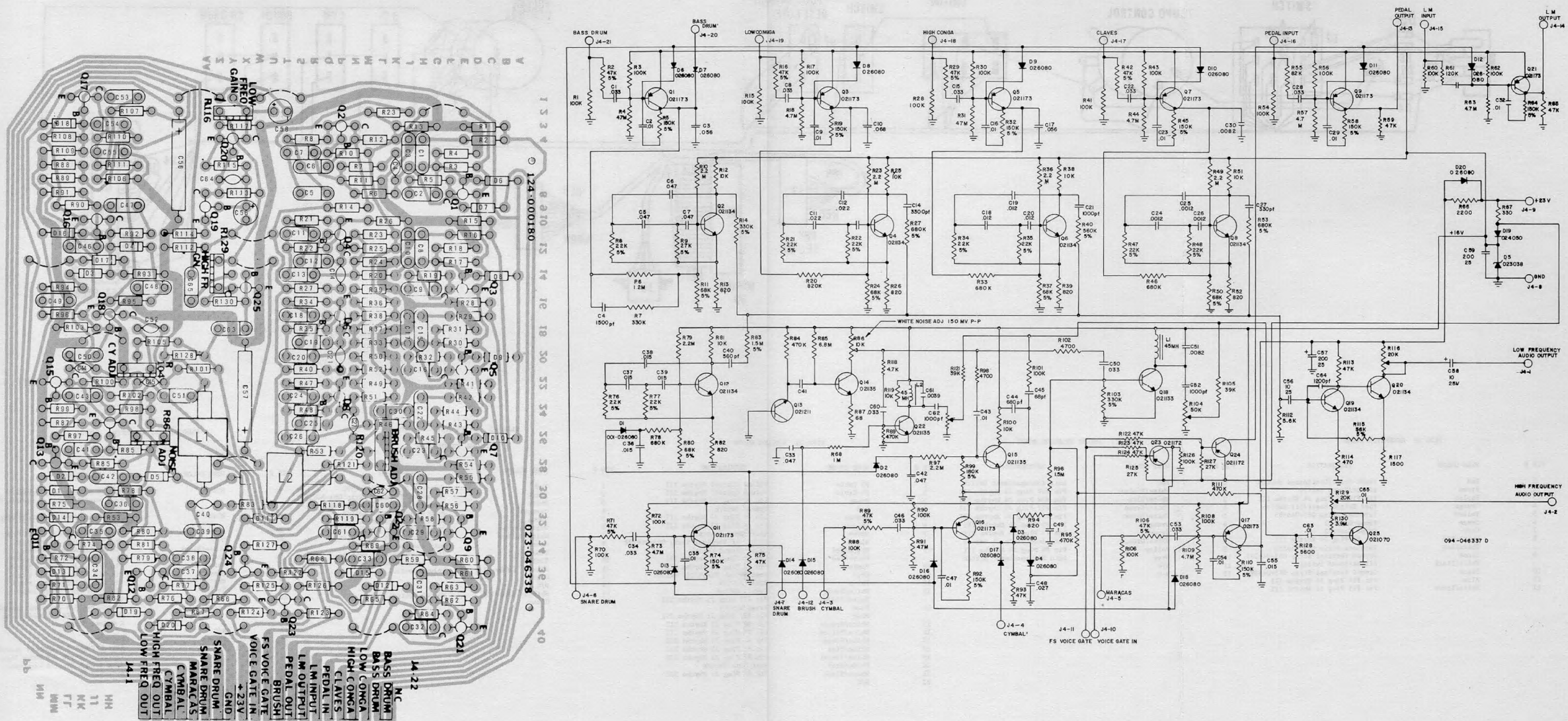
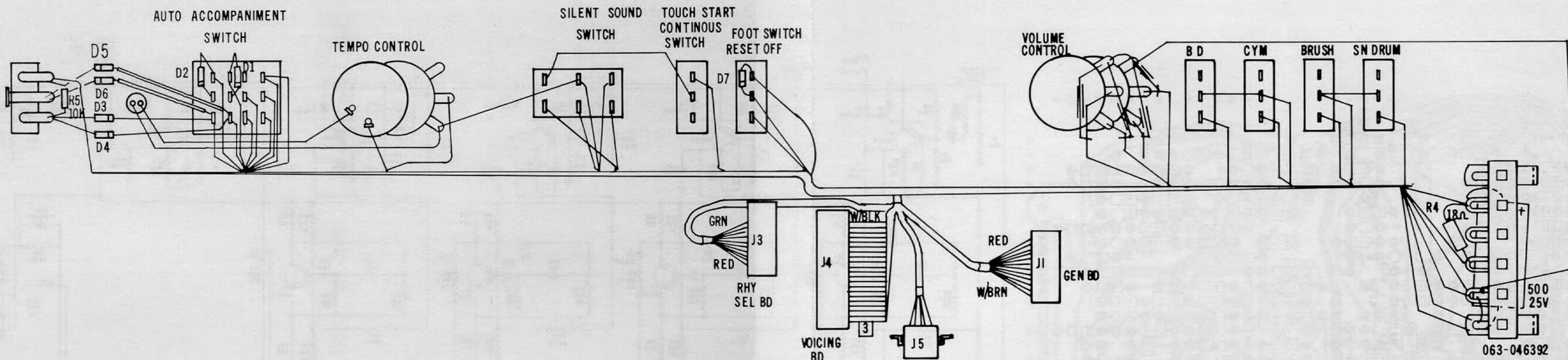


FIGURE 5-19
RHYTHM III VOICING
BOARD 124-000180,
LAYOUT & SCHEMATIC



PLUG J1 GENERATOR BOARD

PLUG J3 RHYTHM SELECTOR BOARD

PLUG J4 VOICING BOARD

PLUG J5 RHYTHM INPUT - OUTPUT

PLUG J5 RHYTHM INPUT - OUTPUT

PLUG J1 GENERATOR BOARD			PLUG J3 RHYTHM SELECTOR BOARD			PLUG J4 VOICING BOARD			PLUG J5 RHYTHM INPUT - OUTPUT INTERNAL CONNECTIONS			PLUG J5 RHYTHM INPUT - OUTPUT EXTERNAL CONNECTIONS		
PIN #	WIRE COLOR	TERMINATION	PIN #	WIRE COLOR	TERMINATION	PIN #	WIRE COLOR	TERMINATION	PIN #	WIRE COLOR	TERMINATION	PIN #	WIRE COLOR	TERMINATION
1	Red	Touch Start/Continuous Switch	1	Red	Auto Accompaniment Switch	1	#3 Cable	Volume Control Rhythms III	1	Red	Terminal Strip 063-046392	1	Blue	Top of Power Supply Assembly
2	Brown	Silent/Sound Switch	2	White/Violet	Pin #19 Plug J4 Rhythms III	2	#4 Cable	Volume Control Rhythms III	2	Black	Ground of Terminal Strip 063-046392	2	Black	Left Hand Terminal Strip Pin #8, +25V D.C.
3	Violet	Pin #10 of Plug J4 Rhythms III	3	White/Blue	Pin #18 Plug J4 Rhythms III	3	Brown	Pin #7 Plug J3 Rhythms III	3	White	Foot Switch Reset/Off Switch	2	Black	Tone Wheel Generator Grounding
4	Orange	Foot Switch Reset/Off Switch	4	White/Green	Pin #17 Plug J4 Rhythms III	4	Red	Cymbal Switch	4	Orange	Auto Accompaniment Switch	3	Brown	Lug
5	Yellow	Terminal Strip 063-046392	5	White/Black	Pin #21 Plug J4 Rhythms III	5	Orange	Pin #6 Plug J3 Rhythms III	5	Brown	Auto Accompaniment Switch	4	Blue	Pin #10 Expression Pedal Plug
6	Green	Tempo Control	6	Brown	Pin #5 Plug J4 Rhythms III	6	Yellow	Pin #9 Plug J3 Rhythms III	6	White/Orange	Pin #15 Plug J4 Rhythms III	5	Blue	Pin #11 of Auto Chord Board
7	Gray	Tempo Control	7	White/Orange	Pin #3 Plug J4 Rhythms III	7	Green	Snare Drum Switch	7	White/Yellow	Pin #16 Plug J4 Rhythms III	4	White/Black	Pin #16 of Auto Chord Board
8	White/Red	Pin #9 Plug J4 Rhythms III	8	White/Red	Auto Accompaniment Switch	8	Black	Ground of Terminal Strip 063-046392	8	Green	Auto Accompaniment Switch	6	Green	Pin #10 of Auto Chord Board
9	White/Red	Terminal Strip 063-046392	9	Yellow	Pin #6 Plug J4 Rhythms III	9	White/Red	Silent/Sound Switch	9	Violet	Auto Accompaniment Switch	7	White/Brown	Pin #17 of Auto Chord Board
10	Black	Ground Terminal Strip 063-046392	10	Gray	Auto Accompaniment Switch	10	Violet	Pin #8 Plug J1 Rhythms III	10	Blue	Auto Accompaniment Switch	8	Gray	Pin #13 of Auto Chord Board
11	Black/Black	Silent/Sound Switch	11	N/C	Auto Accompaniment Switch	11	White	Pin #3 Plug J1 Rhythms III	11	Shield Cable #1	Auto Accompaniment Switch	9	White/Orange	Pin #20 of Auto Chord Board
12	Blue	Ground Terminal Strip 063-046392	12	N/C	Auto Accompaniment Switch	12	White	Foot Switch Reset/Off Switch	12	Clear	Volume Control	10	Yellow	Pin #7 of Auto Chord Board
	White/Brown	Pin #14 Plug J4 Rhythms III				13	White/Brown	Brush Switch	13	N/C		11	Shield	Cable "L"
		Pin #13 Plug J4 Rhythms III				14	Blue	Cymbal Switch	14	Shield Cable #2	Volume Control	12	Clear	Switch Panel & Component Assembly #6
						15	Blue	Pin #12 Plug J1 Rhythms III	15	Clear		13	N/C	Open End of 18K between Reverb II & Volume Soft
							White/Brown	Brush Switch				14	Shield	Cable "H"
							Blue	Pin #11 Plug J1 Rhythms III				15	Clear	Switch Panel & Component Assembly #6
							White/Orange	Pin #6 Plug J5 Rhythms III						Junction of 15K and White Wire from Switch Panel & Component Assembly #5
							White/Yellow	Pin #7 Plug J5 Rhythms III						
							White/Green	Pin #4 Plug J3 Rhythms III						
							White/Blue	Pin #3 Plug J3 Rhythms III						
							White/Violet	Pin #2 Plug J3 Rhythms III						
							White/Gray	Bass Drum Switch						
							White/Black	Pin #5 Plug J3 Rhythms III						
							N/C							

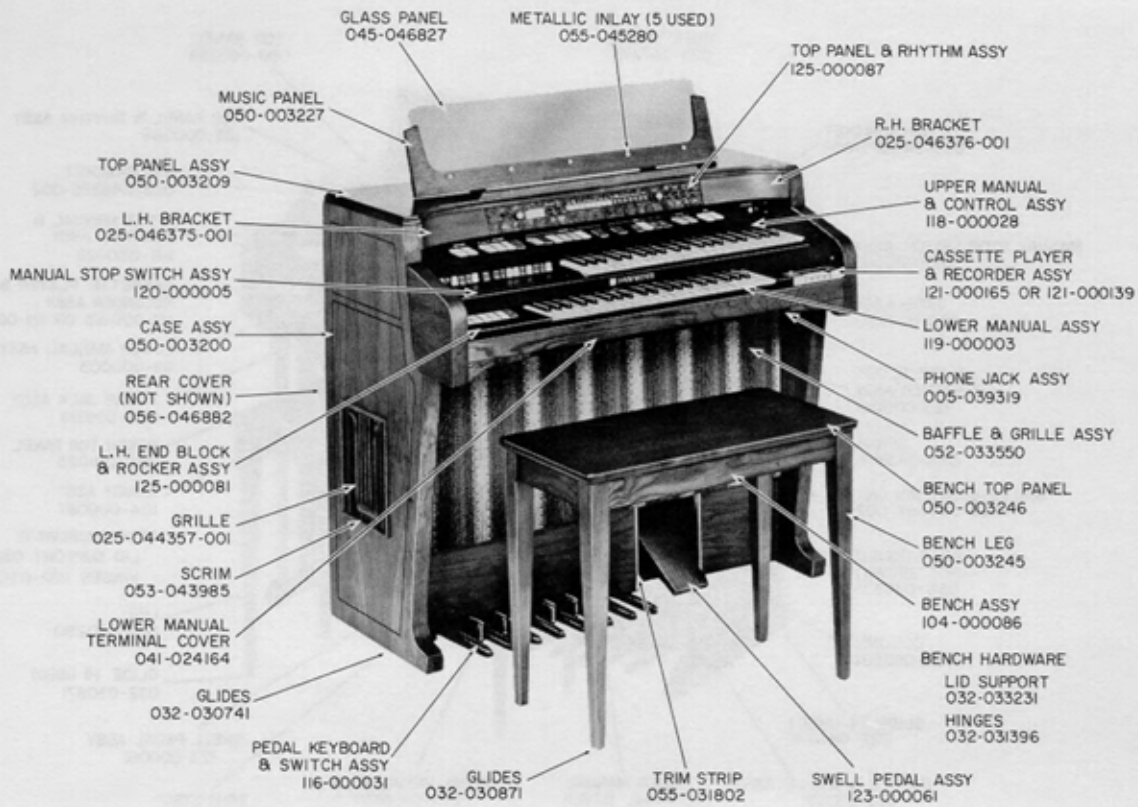
FIGURE 5-20
RHYTHM III CABLE ASSEMBLY
011-046388

SECTION VI PARTS LIST

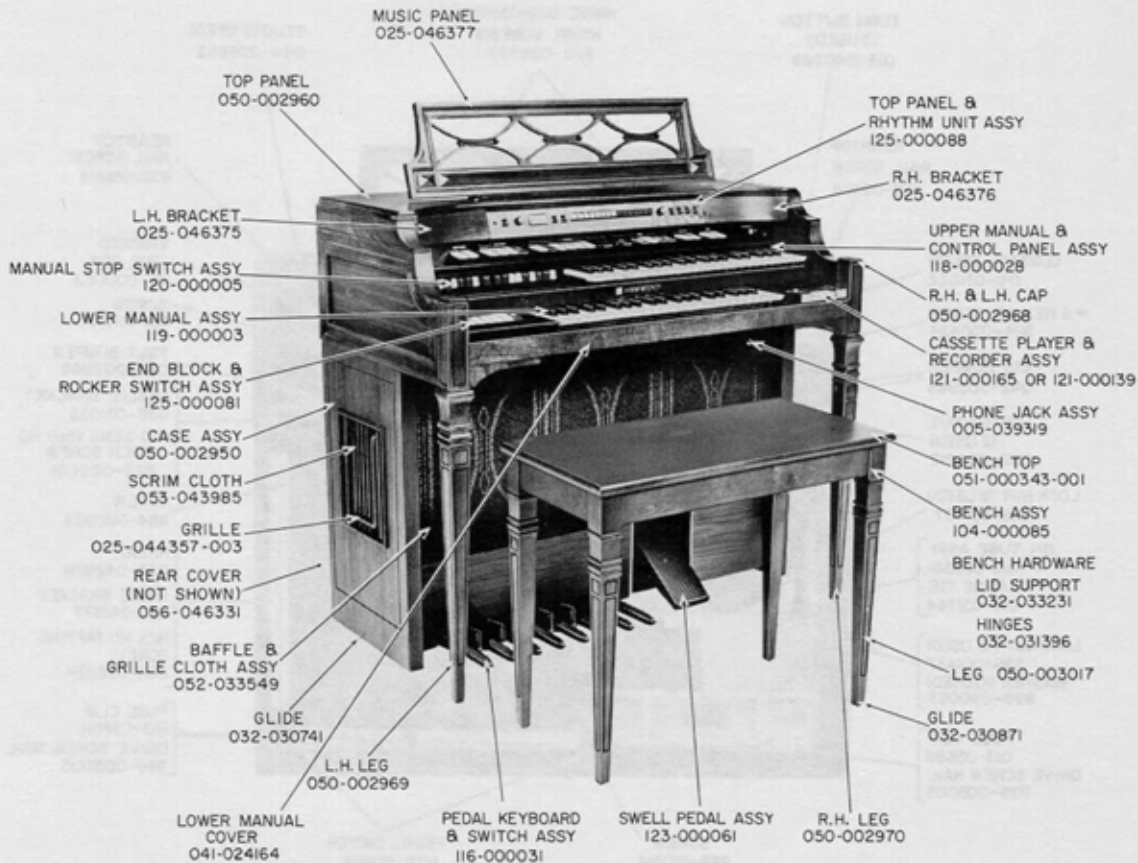
T-500 INDEX

	<i>Page</i>		<i>Page</i>
Console (524C) Front View	6-3	Console – Top Front View	6-5
Top Panel & Rhythm Assembly		Music Light Assembly	
Top Panel Assembly		Music Light Lens	
Music Panel		Canopy Switch	
Glass Panel		Rhythm Unit Assembly	
Metal Inlay		Light Emitting Diode	
Upper Manual & Control Assembly		Rocker Switch (Silent/Sound)	
Lower Manual Assembly		Push Button Knobs	
Lower Manual Terminal Cover		Potentiometers & Knobs	
Case Assembly		Toggle Switches & Rocker Tabs	
Baffle & Grill Assembly		Control Panel Assembly	
Bench Assembly		Control Panel	
Cassette		Potentiometer & Knob	
 		Line Switch (A.C.)	
Console (582C) Front View	6-3	Light Lens	
Top Panel & Rhythm Assembly		Upper Manual Assembly	
Top Panel Assembly		Right Hand Endblock	
Music Panel		Tonebar Assembly	
Upper Manual & Control Assembly		Stop Switch Base	
Lower Manual Assembly		Front Strip	
Lower Manual Terminal Cover		Lower Manual Assembly	
Case Assembly		Endblock & Rocker Switch Assembly	
Baffle & Grill Assembly		Cassette	
Bench Assembly		 	
Cassette		Console – Rear View, Tremolo Open	6-5
 		Control Cover	
Console (595C) Front View	6-4	Music Light Cable & Plug Assembly (P605)	
Top Panel & Rhythm Assembly		Generator & Motor Assembly	
Top Panel Assembly		Generator Cable Assembly	
Music Panel		Speakers	
Upper Manual & Control Assembly		Crossover Network Assembly	
Lower Manual Assembly		Reverberation Unit Assembly	
Lower Manual Terminal Cover		Drum Scanner Assembly	
Case Assembly		Power & Reverberation Amplifier Assembly	
Baffle & Grill Assembly		 	
Bench Assembly		Tone Wheel Generator – Rear View	6-6
Cassette		Scanner Pulley	
 		“O” Ring	
Console – Rear View	6-4	Motor Coupler	
Music Rack Hinge		Coupler Spring	
Control Cover		 	
Vibrato Line Box		Console – Rear View, Top	6-6
Tremolo Bracket		Switch Panel & Component Assemblies (1 thru 6)	
Tremolo Hinge		Line Switch	
		Pilot Lamp	

	<i>Page</i>		<i>Page</i>
Console – Rear View, Top (Continued)	6-6	Power Amplifier & Supply – Top View	6-11
Lower Manual Bus Amplifier Board Assembly		Power Transformers	
Upper Manual Bus Amplifier Board Assembly		Power & Reverberation Amplifier Board	
Recovery & Non Vibrato Amplifier Board Assembly		Pedal Filter & Divider Board	
Vibrato Amplifier Board Assembly		Fuses	
Percussion Board Assembly		Electrolytic Capacitors	
Auto Chord Board Assembly			
Connector & Terminal Pins (Auto Chord Board)		Power Amplifier & Supply – Bottom View	6-12
Control Panel – Right Half Front View	6-7	Relay – Tremolo	
Stop Finger Assemblies		Zener Diode 15V.	
Control Panel – Left Half Front View	6-7	Filter Choke	
Stop Finger Assemblies		Pedal Keyboard & Switch Assembly – Top View . . .	6-12
Synchronous Motors		Pedal Keyboard Assembly	
Endblock Assembly – Top View	6-8	Cable Assemblies	
Endblock – Lower Left Hand		Grommet	
Rocker Tabs		Pedal Assembly – Long & Short	
Endblock Assembly – Bottom View	6-8	Pedal Keyboard & Switch Assembly – Top View, Disassembled	6-13
Rocker Switch Bracket & Lug Assembly		Pedal Keyer Boards	
Over Center Spring		Key Channel – Long & Short	
Rocker Switch Frame Assembly		Pedal Caps – Long & Short	
Resistors & Capacitors		Extension Springs	
Manual Assembly – Upper or Lower, Disassembled . .	6-9	Down Stop Bumpers	
Bus Bar Sets (Upper & Lower)		Pedal Keyboard & Switch Assembly – Bottom View .	6-13
Bus Bar Shifter Assembly		Guide & Switch Bracket Assembly	
Switch Spring Assemblies		Swell Pedal – Disassembled	6-14
Contact Spring Holder (Long & Short)		Base	
Manual Key Disassembled	6-9	Photo Cell	
Playing Keys		Photo Cell Adapter	
Key Combs		Diffuser Lens	
Key Channels		Socket	
Tonebar Assembly – Top View	6-10	Photo Cell Cover	
Tonebar Assemblies		Shutter	
Tonebar Knobs		Pedal	
Tonebar Assembly – Bottom View	6-10	Rubber Mat	
Printed Network Assemblies		Side Switch & Contacts	
Tonebar – Disassembled		Rhythm III	6-15
Tonebar Assembly – Pedal	6-11	Voicing Board Assembly	
Pedal Mounting Block Assembly		Timing Generator Board Assembly	
Clamp Spring		Rhythm Selector Board Assembly	
Pedal Tonebar Assembly			
Contact Spring Assembly			
Resistor			



Console (524C) Front View



Console (582C) Front View